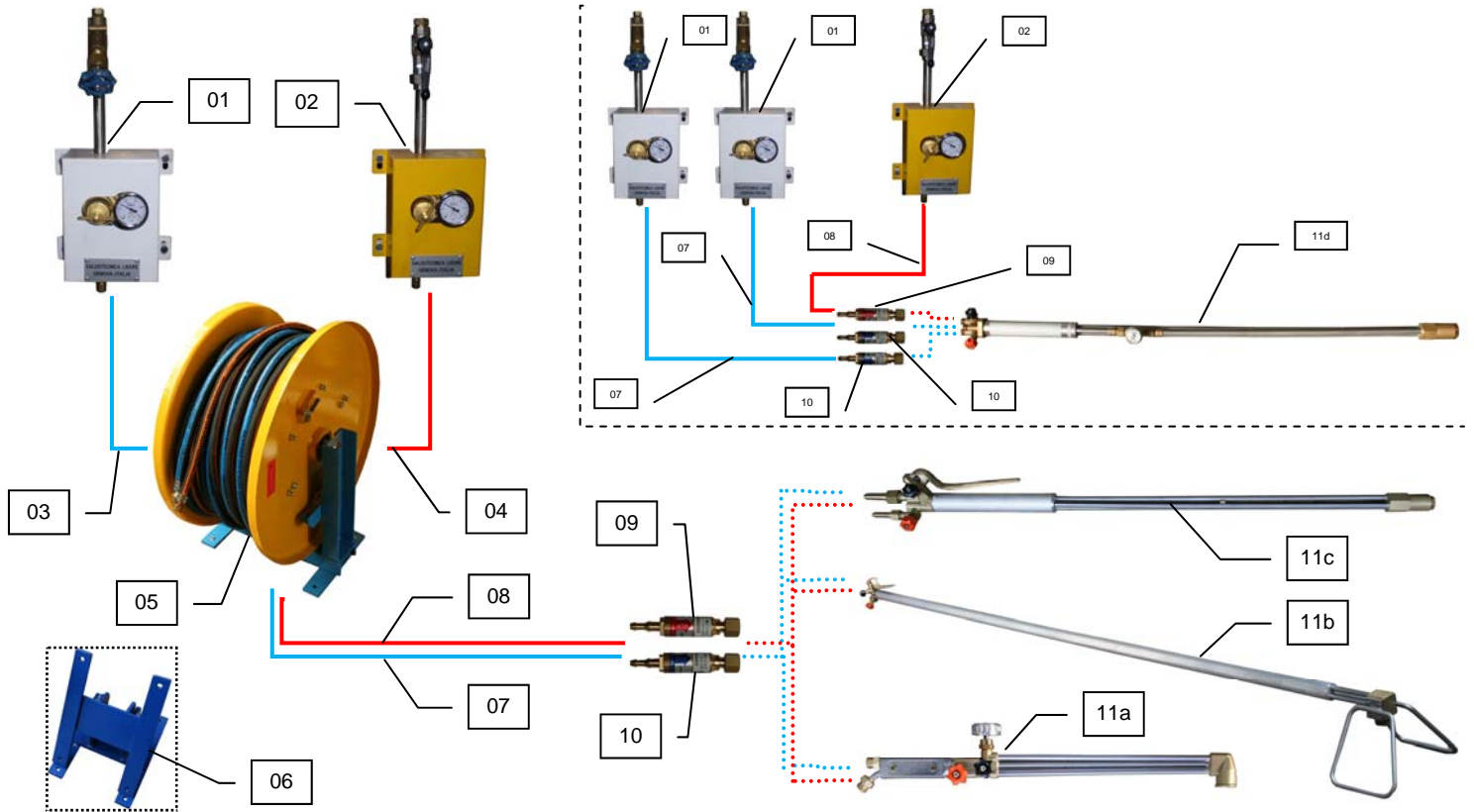


Chalumeau de Coupe Sopletes de Corte

LAY-OUT



CN SLR SLHR IMP/SL		
Pos.	Art. / P.n. / Cd. / Cd.	Pg. n.
01	94251	
02	94351	
03	93610-3R	
04	93660-3R	
05	942	
06	94245	
07	93610-20R1/2	
08	93650-20R3/8S	
09	92080D	
10	92260DU	
11_a	CN SLR SLHR IMP/SL	6/9

IMP		
Pos.	Art. / P.n. / Cd. / Cd.	Pg. n.
01	94251	
02	94351	
03	93610-3R	
04	93660-3R	
05	942	
06	94245	
07	93610-20R1/2	
08	93650-20R3/8S	
09	92080D	
10	92260DU	
11_{b/c}	IMP/2 IMP/TL IMT/TE	10/12

IMP/3		
Pos.	Art. / P.n. / Cd. / Cd.	Pg. n.
01	94251 (2)	
02	94351	
07	93610-20R3/8 (2)	
08	93650-20R3/8S	
09	92080D	
10	92030D	
10	92030DU	
11_d	IMP/3	11

PLUTONE		
Pos.	Art. / P.n. / Cd. / Cd.	Pg. n.
01	94251 + 94302	
02	94351	
07	93610-20R3/8 (2)	
08	93650-20R3/8S	
09	92080D	
10	92030D	
10	92030DU	
11_d	PLUTONE	14

